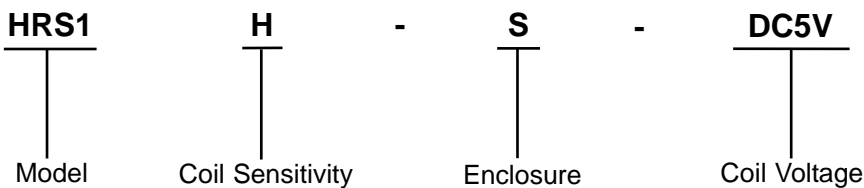




Features:

- Microminiature relay
Dimension : 15.6 × 10.6 × 11.8 (mm).
- High sensitivity.
- Maximum switching capacity 3A.
- Contact Form: 1 form C.

Part Number Explanation:



Coil Sensitivity : H - High sensitive (200mW)

Enclosure : S-Plastic Sealed Type.

Coil Voltage : DC5V, DC12V and DC24V.

Remark: Contact rating : 1A, 3A.

Specifications

Contact Data		
	Contact Material	AuAg overlay, Ag alloy
	Contact Rating	1A 120V ac / 24V dc 3A 120V ac / 24V dc
	Contact Resistance	Maximum 50mΩ (6V dc 0.1A)
Load	Maximum Switching Voltage	220V ac / 30V dc
	Maximum Switching Current	3A
	Maximum Switching Power	360VA, 90W
	Minimum Switching Load	5V dc, 10mA
Life	Electrical	100,000 operations (1A 120V ac / 24V dc) 50,000 operations (3A 120V ac / 24V dc)
	Mechanical	10,000,000 operations

Specifications

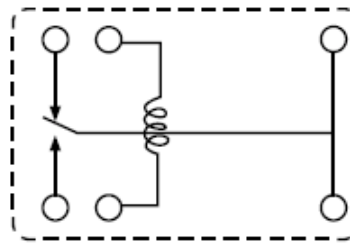
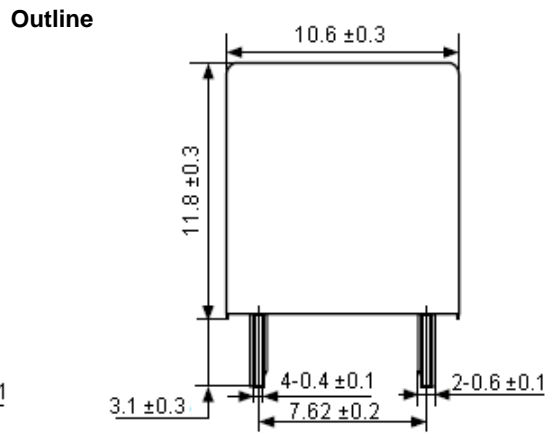
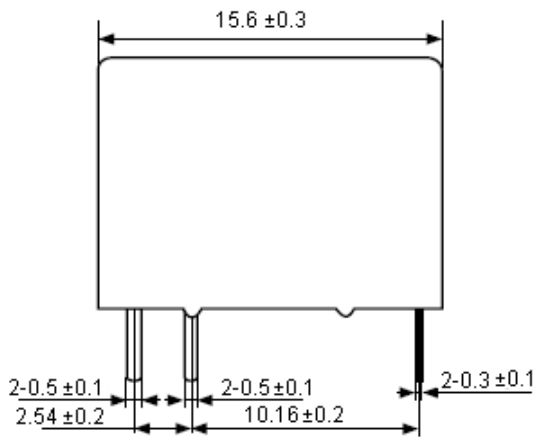
Coil Data		
Nominal Coil Power		200mW, 360mW
General Data		
Insulation Resistance		Minimum 100MΩ 500V dc
Dielectric Strength	Between Open Contacts	750V ac, 1 min
	Between Coil and Contacts	1,000V ac, 1 min
Operate Time		Maximum 5ms
Release Time		
Operating temperature		-25°C to +70°C
Humidity		35 to 95%RH, +40°C
Shock Resistance	Endurance	1,000m/s ²
	Misoperation	100m/s ²
Vibration Resistance	Endurance	10 to 55Hz, 1.5mm double amplitude
	Misoperation	

Coil Data

Ambient Temperature: 23°C

Nominal Voltage V dc	Coil Resistance Ω ±10%	Operate Voltage ≤ V dc	Release Voltage ≥ V dc	Coil Power mW	Part Number
5	125	3.75	0.5	200	HRS1H-S-DC5V
12	720	9	1.2		HRS1H-S-DC12V
24	2880	18	2.4		HRS1H-S-DC24V

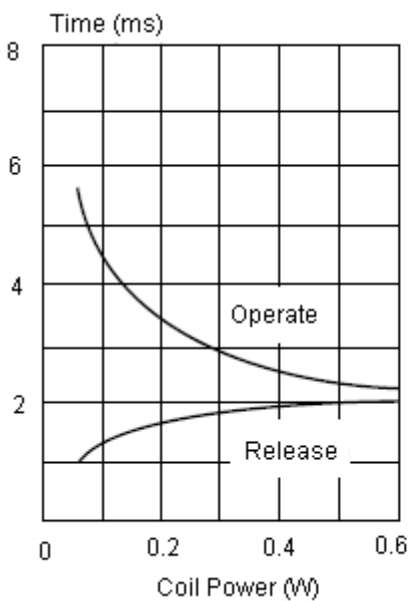
Outline, Wiring Diagram, Mounting Hole Layout (Unit: mm)



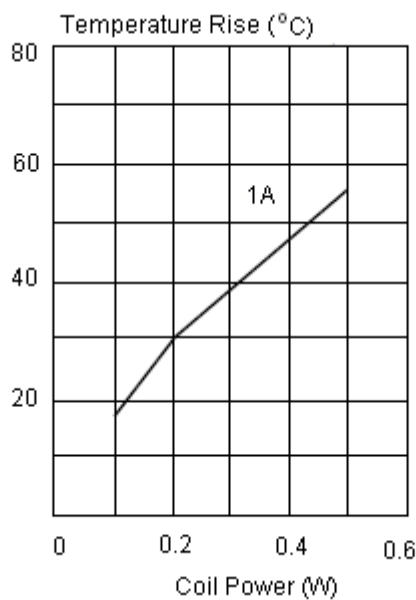
Dimensions : Millimetres

Characteristic Chart Data

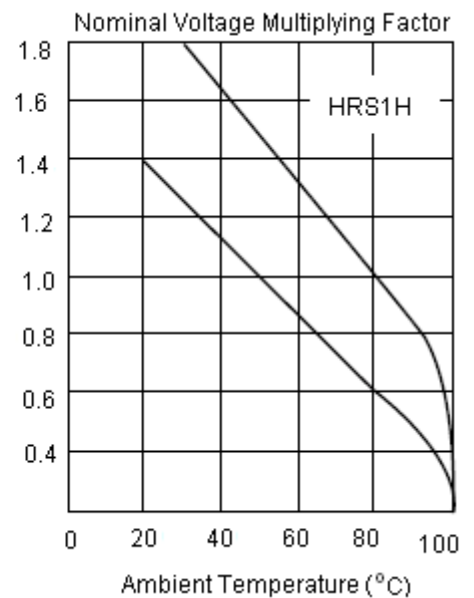
Timing



Coil Temperature Rise

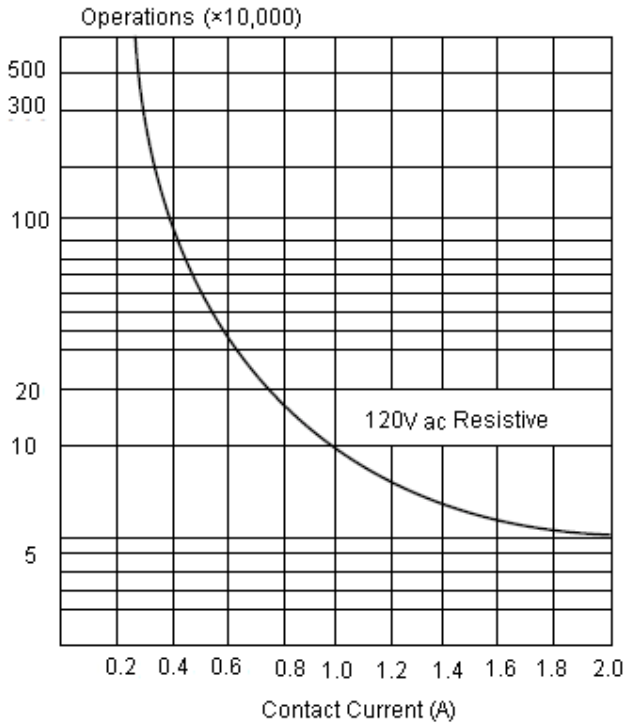


Operate Range

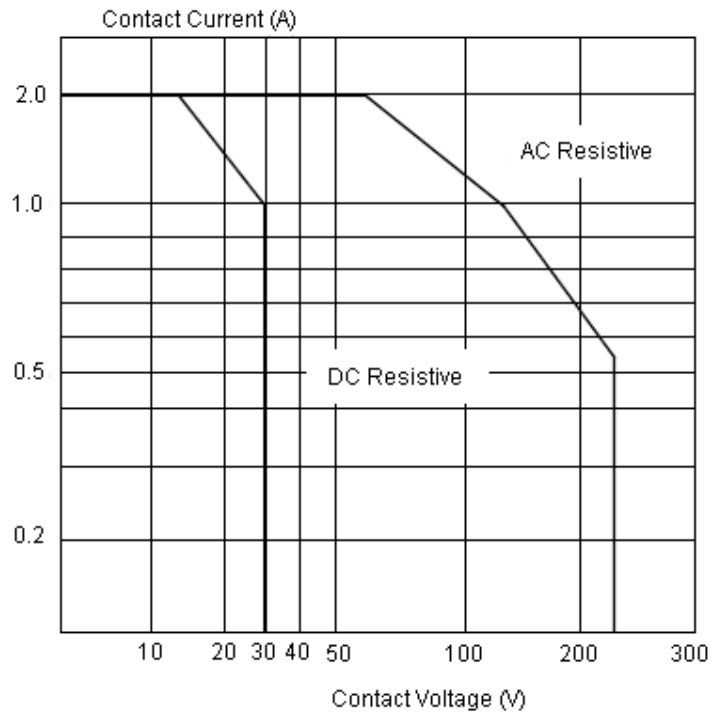


Characteristic Chart Data

Life Curves



Maximum Switching Power



Important Notice : This data sheet and its contents (the "Information") belong to the members of the Premier Farnell group of companies (the "Group") or are licensed to it. No licence is granted for the use of it other than for information purposes in connection with the products to which it relates. No licence of any intellectual property rights is granted. The Information is subject to change without notice and replaces all data sheets previously supplied. The Information supplied is believed to be accurate but the Group assumes no responsibility for its accuracy or completeness, any error in or omission from it or for any use made of it. Users of this data sheet should check for themselves the Information and the suitability of the products for their purpose and not make any assumptions based on information included or omitted. Liability for loss or damage resulting from any reliance on the Information or use of it (including liability resulting from negligence or where the Group was aware of the possibility of such loss or damage arising) is excluded. This will not operate to limit or restrict the Group's liability for death or personal injury resulting from its negligence. Multicomp is the registered trademark of the Group. © Premier Farnell plc 2011.